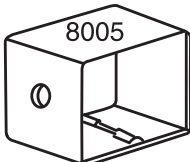
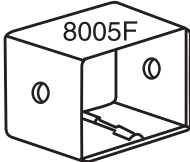
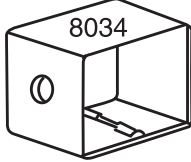
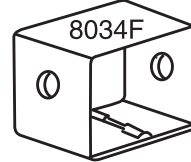
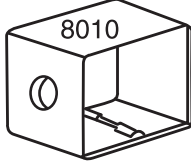
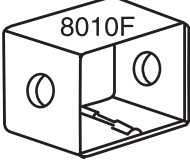
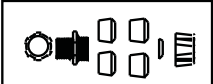
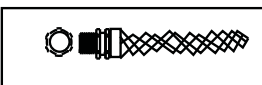


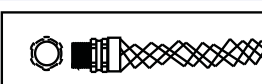
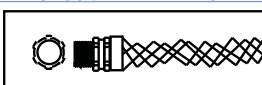

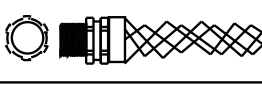
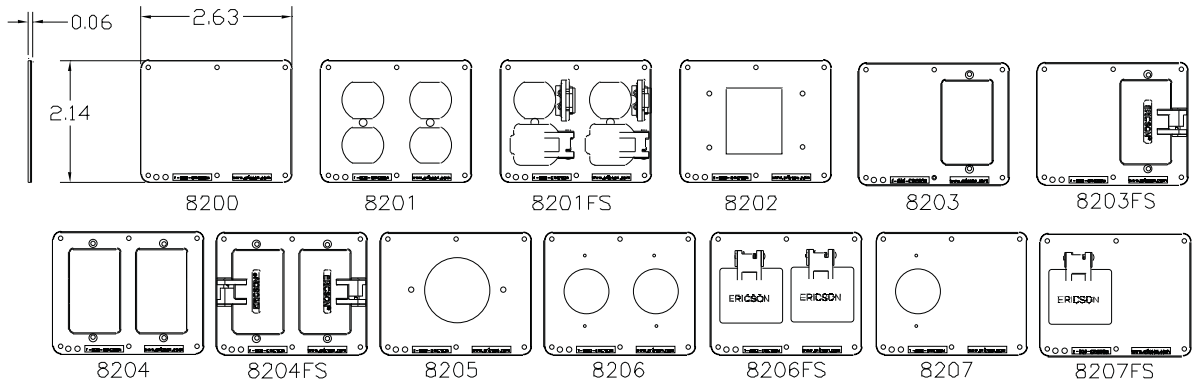


Pre-Punched Boxes

 1 X 1/2" NPT HOLE	 2 X 1/2" NPT HOLES	 1 X 3/4" NPT HOLE	 2 X 3/4" NPT HOLES	 1 X 1" NPT HOLE	 2 X 1" NPT HOLES
--	---	--	---	--	---

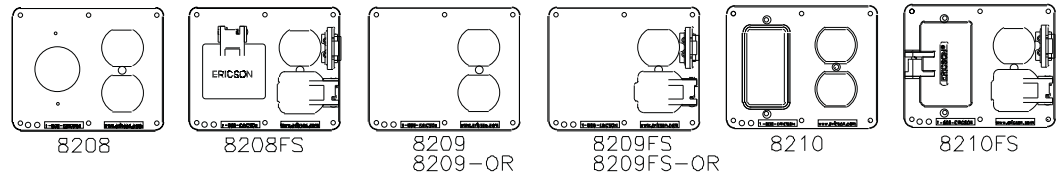
Strain Relief Kits

Cable Ranges (strain relief)	Catalog Number	Cable Ranges (wire mesh)	Catalog Number
1/2" NPT Fits Cable Ranges .37 - .61	 82005	1/2" NPT Fits Cable Ranges .375 - .500	 82005W WIRE MESH
		1/2" NPT Fits Cable Ranges .500 - .625	 82005W-1 WIRE MESH
3/4" NPT Fits Cable Ranges .45 - .70	 82034	3/4" NPT Fits Cable Ranges .625 - .750	 82034W WIRE MESH
		3/4" NPT Fits Cable Ranges .750 - .875	 82034W-1 WIRE MESH
1" NPT Fits Cable Ranges .59 - 1.00	 82010	1.0" NPT Fits Cable Ranges .875 - 1.000	 82010W WIRE MESH



**Hole Ø Inches:**

8205 = 2.40
8206 = 1.57
8207 = 1.57
8208 = 1.57



ACTUAL PLATE CONFIGURATION, REF.

